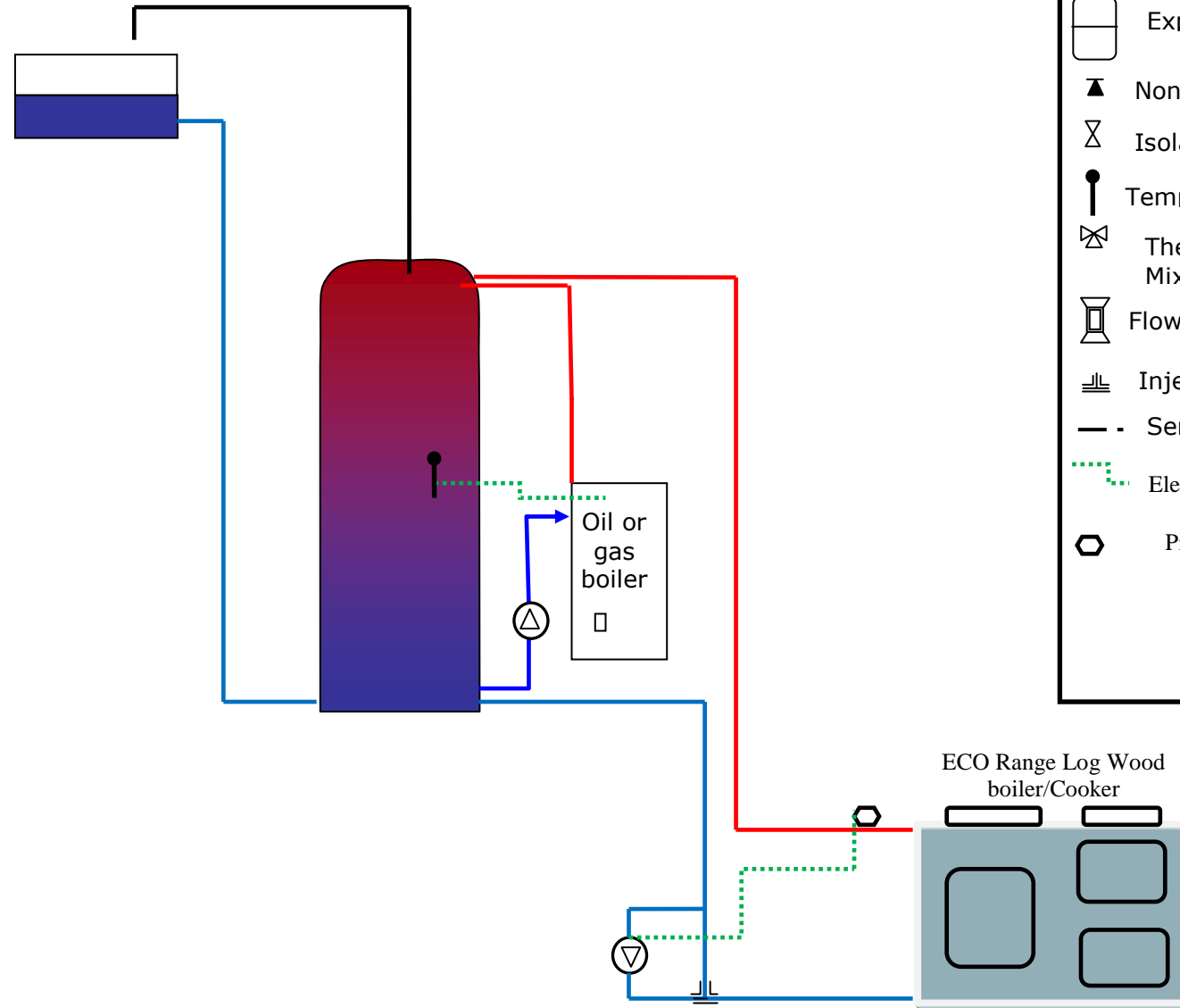


Linked or Hybrid system: Boiler circuits



- ⊠ Circulating Pump
- Air vent
- ⊙ Pressure gauge
- ⊥ Pressure relief vent
- ⊞ Expansion vessel
- ▲ Non-return valve
- ⊗ Isolating valve
- ⊙ Temperature sensor
- ⊗ Thermostatic Mixing Valve
- ⊞ Flowsetter Valve
- ⊞ Injector Tee
- · — Sensor
- ⋯ Electrical connection
- ⬡ Pipe Thermostat